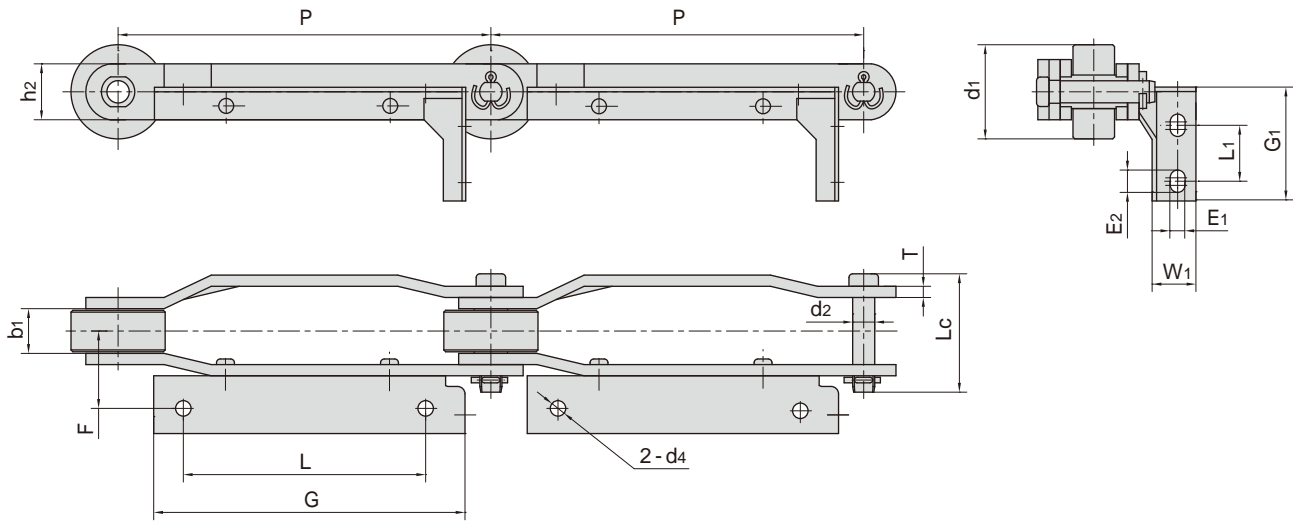


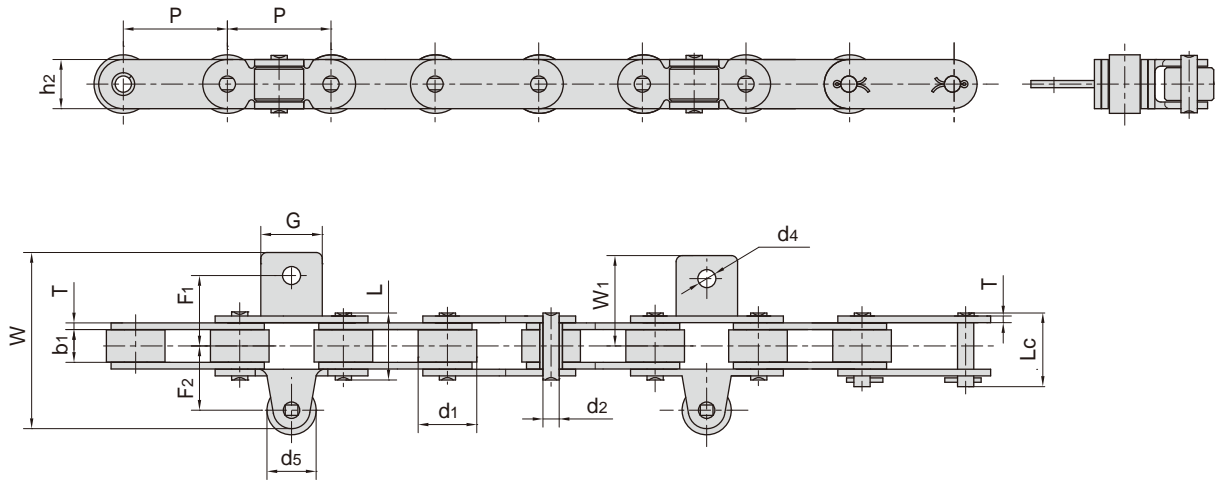
烟草机械输送链 Tobacco conveyor chains



东华链号 Donghua Chain No.	G	L	F	G ₁	L ₁	W ₁	E ₁	E ₂	d ₄
	mm	mm	mm	mm	mm	mm	mm	mm	mm
P200F74	167.0	130.0	41.5	60.0	30.0	23.0	8.0	12.0	8.0
P200F132	168.0	127.0	44.3	63.0	27.0	26.0	7.0	7.0	8.0
P200F156	167.0	130.0	41.2	60.0	30.0	23.0	8.0	12.0	8.0
P200F177	170.0	127.0	48.0	62.0	27.0	26.0	7.0	7.0	7.0
P203.2F2	170.0	127.0	39.0	62.0	27.0	24.0	6.8	10.8	6.5

东华链号 Donghua Chain No.	节距 Pitch	滚子直径 Roller diameter	内节内宽 Width between inner plates	销轴直径 Pin diameter	销轴长度 Pin length	链板高度 Plate depth	链板厚度 Plate thickness	抗拉强度 Tensile strength	平均抗拉强度 Average tensile strength	每米长重 Weight per meter
	P	d ₁ max	b ₁ min	d ₂ max	L _c max	h ₂ max	T max	Q min	Q ₀	q
	mm	mm	mm	mm	mm	mm	mm	kN/lbf	kN	kg/m
P200F74	200.0	50.0	24.0	11.9	62.0	30.0	6.0	100/22480	110.0	6.1
P200F132	200.0	50.0	25.5	14.0	63.0	35.0	6.0	130/29225	143.0	7.1
P200F156	200.0	50.0	23.0	11.9	62.0	32.0	6.3	100/22480	110.0	6.4
P200F177	200.0	60.0	26.0	18.0	75.0	45.0	8.0	230/51704	241.5	11.8
P203.2F2	203.2	50.5	24.0	11.0	64.6	32.0	6.0	120/26977	130.0	6.2

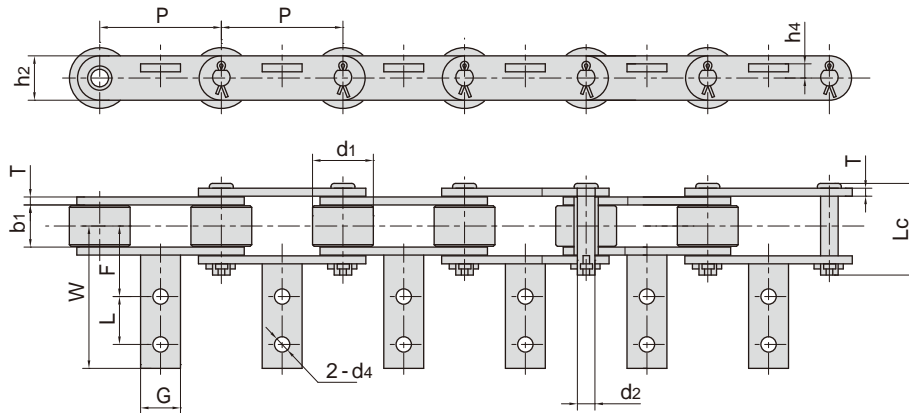
烟草机械输送链 Tobacco conveyor chains



东华链号 Donghua Chain No.	G	F ₁	F ₂	W ₁	W	d ₄	d ₅
	mm	mm	mm	mm	mm	mm	mm
C2082F35	30.0	33.0	32.0	45.7	86.7	8.8	24.0
C2082HF70	30.0	34.0	32.0	44.0	85.0	8.6	24.0
C2082F78	30.0	28.5	32.0	45.7	86.7	8.8	24.0

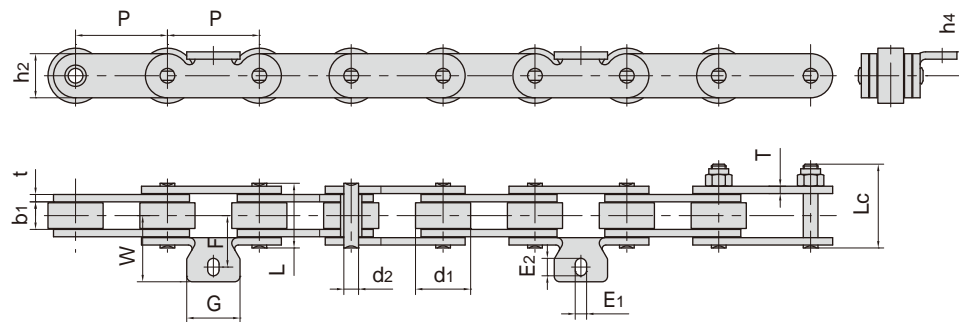
东华链号 Donghua Chain No.	节距 Pitch	滚子直径 Roller diameter	内节内宽 Width between inner plates	销轴直径 Pin diameter	销轴长度 Pin length		链板高度 Plate depth	链板厚度 Plate thickness	抗拉强度 Tensile strength	平均抗拉强度 Average tensile strength	每米长重 Weight per meter
	P	d ₁ max	b ₁ min	d ₂ max	L max	Lc max	h ₂ max	T max	Q min	Q ₀	q
	mm	mm	mm	mm	mm	mm	mm	mm	kN/lbf	kN	kg/m
C2082F35	50.8	28.58	15.75	7.92	32.7	36.5	24.0	3.25	55.6/12500	60.0	3.37
C2082HF70	50.8	28.58	15.75	7.92	36.2	38.9	24.0	4.00	55.6/12500	60.0	3.31
C2082F78	50.8	28.58	15.75	7.92	32.7	36.5	24.0	3.25	55.6/12500	60.0	3.37

烟草机械输送链 Tobacco conveyor chains



东华链号 Donghua Chain No.	G	L	F	W	h4	d4
	mm	mm	mm	mm	mm	mm
P76.2F30	25.0	31.8	44.5	89.8	9.0	9.7

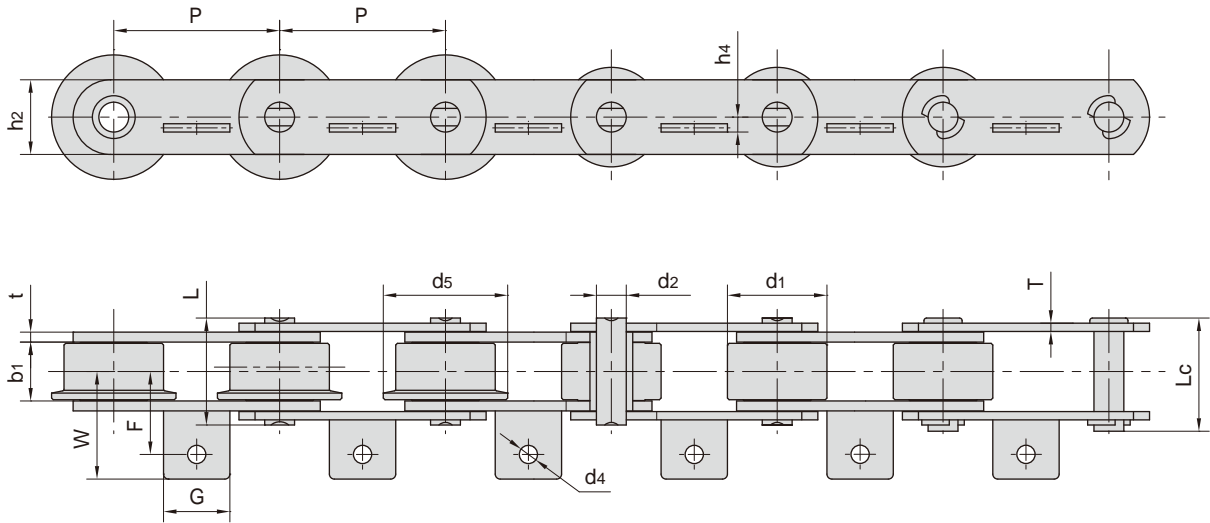
东华链号 Donghua Chain No.	节距 Pitch	滚子直径 Roller diameter	内节内宽 Width between inner plates	销轴直径 Pin diameter	销轴长度 Pin length	链板高度 Plate depth	链板厚度 Plate thickness	抗拉强度 Tensile strength	平均抗拉强度 Average tensile strength	每米长重 Weight per meter
	P	d1 max	b1 min	d2 max	Lc max	h2 max	T max	Q min	Q0	q
	mm	mm	mm	mm	mm	mm	mm	kN/lbf	kN	kg/m
P76.2F30	76.2	38.0	24.0	11.0	55.0	28.7	5.0	75/16860	80.0	5.67



东华链号 Donghua Chain No.	G	F	W	h4	E1	E2
	mm	mm	mm	mm	mm	mm
P50F46	29.0	27.5	36.5	13.0	6.2	9.5

东华链号 Donghua Chain No.	节距 Pitch	滚子直径 Roller diameter	内节内宽 Width between inner plates	销轴尺寸 Pin dimension			链板高度 Plate depth	链板厚度 Plate thickness	抗拉强度 Tensile strength	平均抗拉强度 Average tensile strength	每米长重 Weight per meter
	P	d1 max	b1 min	d2 max	L max	Lc max	h2 max	t/T max	Q min	Q0	q
	mm	mm	mm	mm	mm	mm	mm	mm	kN/lbf	kN	kg/m
P50F46	50.0	30.0	14.5	8.0	35.5	45.6	24.0	4.0	50/11240	55.0	3.73

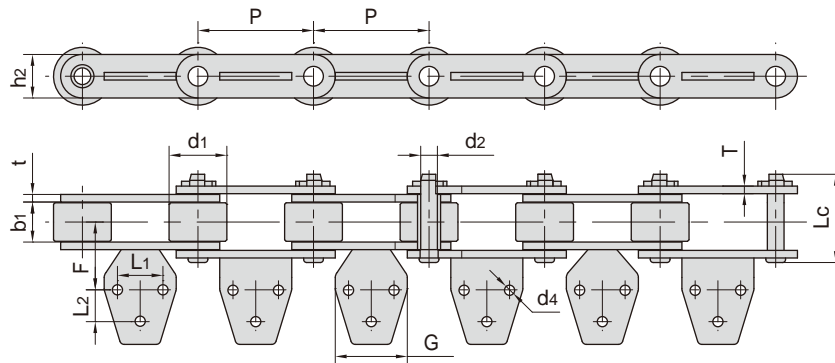
烟草机械输送带 Tobacco conveyor chains



东华链号 Donghua Chain No.	G	F	W	h4	d4
	mm	mm	mm	mm	mm
P100F74	40.0	55.00	73.0	8.0	12.0
P100F171	40.0	55.00	73.5	10.0	12.0
P100F173A1	40.0	47.25	64.3	9.5	11.0
P100F260A1	40.0	55.00	73.0	8.0	12.0
P160F104A1	50.0	64.00	99.0	15.0	13.0

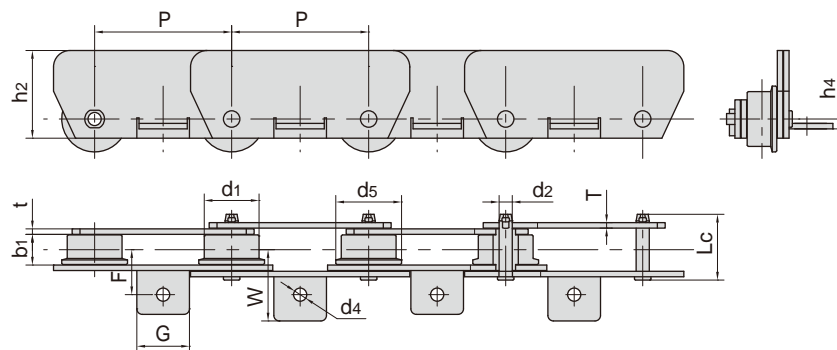
东华链号 Donghua Chain No.	节距 Pitch	滚子直径 Roller diameter		内节内宽 Width between inner plates	销轴直径 Pin diameter	销轴长度 Pin length		链板高度 Plate depth	链板厚度 Plate thickness	抗拉强度 Tensile strength	平均抗拉强度 Average tensile strength	每米长重 Weight per meter
	P	d1 max	d5 max	b1 min	d2 max	L max	Lc max	h2 max	t/T max	Q min	Q0	q
	mm	mm	mm	mm	mm	mm	mm	mm	mm	kN/lbf	kN	kg/m
P100F74	100.0	60.0	-	34.0	18.0	-	69.0	45.0	6.0/5.0	140/31470	150.0	13.80
P100F171	100.0	60.0	-	35.0	18.0	65.0	69.5	41.0	6.0/5.0	140/31470	150.0	13.17
P100F173A1	100.0	60.0	75.0	36.0	18.0	65.0	70.5	45.0	6.0/5.0	140/31470	150.0	16.10
P100F260A1	100.0	60.0	-	34.0	18.0	-	63.0	45.0	4.0	120/26977	130.0	11.20
P160F104A1	160.0	80.0	96.0	48.0	25.0	95.5	102.0	65.0	10.0/8.0	315/70812	330.7	28.30

烟草机械输送链 Tobacco conveyor chains



东华链号 Donghua Chain No.	G	F	L1	L2	d4
	mm	mm	mm	mm	mm
P76.2F63A3	47.5	44.7	30.0	21.0	6.7

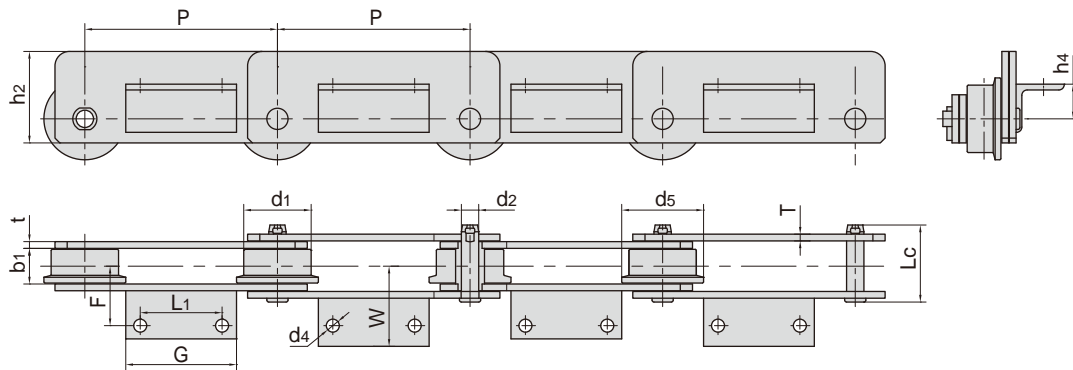
东华链号 Donghua Chain No.	节距 Pitch	滚子直径 Roller diameter	内节内宽 Width between inner plates	销轴尺寸 Pin dimension		链板高度 Plate depth	链板厚度 Plate thickness	抗拉强度 Tensile strength	平均抗拉强度 Average tensile strength	每米长重 Weight per meter
	P	d1 max	b1 min	d2 max	Lc max	h2 max	t/T max	Q min	Q0	q
	mm	mm	mm	mm	mm	mm	mm	kN/lbf	kN	kg/m
P76.2F63A3	76.2	38.1	25.2	11.0	57.0	28.7	5.0	80/17984	88.0	7.10



东华链号 Donghua Chain No.	G	F	W	h4	d4
	mm	mm	mm	mm	mm
M80F36A1 - F - 125	48.0	41.0	65.0	9.0	12.0

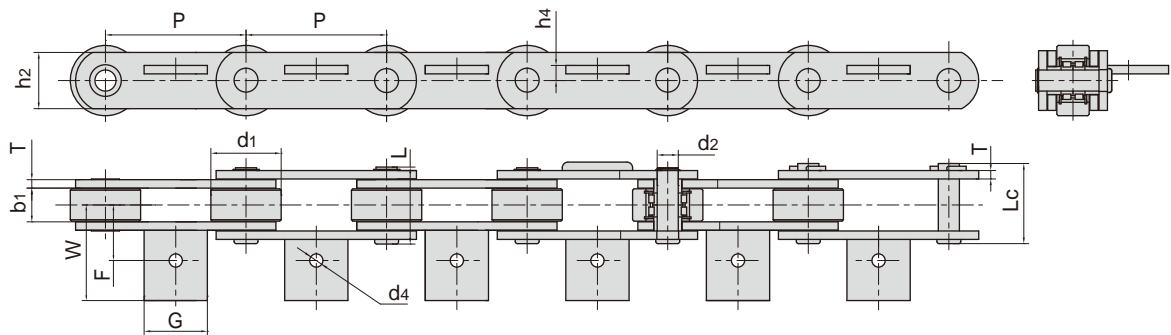
东华链号 Donghua Chain No.	节距 Pitch	滚子直径 Roller diameter		内节内宽 Width between inner plates	销轴尺寸 Pin dimension		链板高度 Plate depth	链板厚度 Plate thickness	抗拉强度 Tensile strength	平均抗拉强度 Average tensile strength	每米长重 Weight per meter
	P	d1 max	d5 max	b1 min	d2 max	Lc max	h2 max	t/T max	Q min	Q0	q
	mm	mm	mm	mm	mm	mm	mm	mm	kN/lbf	kN	kg/m
M80F36A1 - F - 125	125.0	50.0	60.0	28.0	12.0	60.0	80.0	5.0	80/17984	88.0	12.50

烟草机械输送链 Tobacco conveyor chains



东华链号 Donghua Chain No.	G	L1	F	W	h4	d4
	mm	mm	mm	mm	mm	mm
M160F57A2-F-200	115.0	85.0	62.0	83.3	36.0	13.5

东华链号 Donghua Chain No.	节距 Pitch	滚子直径 Roller diameter		内节内宽 Width between inner plates	销轴尺寸 Pin dimension		链板高度 Plate depth	链板厚度 Plate thickness	抗拉强度 Tensile strength	平均抗拉强度 Average tensile strength	每米长重 Weight per meter
	P	d1 max	d5 max	b1 min	d2 max	Lc max	h2 max	t/T max	Q min	Q0	q
	mm	mm	mm	mm	mm	mm	mm	mm	kN/lbf	kN	kg/m
M160F57A2-F-200	200.0	70.0	90.0	37.0	18.0	80.0	95.0	7.0	160/15968	172.8	18.80



东华链号 Donghua Chain No.	G	F	W	h4	d4
	mm	mm	mm	mm	mm
P200F33	90.0	79.0	136.0	21.5	14.0

东华链号 Donghua Chain No.	节距 Pitch	滚子直径 Roller diameter	内节内宽 Width between inner plates	销轴直径 Pin diameter	销轴长度 Pin length		链板高度 Plate depth	链板厚度 Plate thickness	抗拉强度 Tensile strength	平均抗拉强度 Average tensile strength	每米长重 Weight per meter
	P	d1 max	b1 min	d2 max	L max	Lc max	h2 max	T max	Q min	Q0	q
	mm	mm	mm	mm	mm	mm	mm	mm	kN/lbf	kN	kg/m
P200F33	200.0	100.0	48.0	30.0	107.0	112.0	80.0	12.0	648/145670	680.0	37.8